



DIESEL ENGINE YANMAR 4TNV98-ZNYED

Maximum power 43kW (58 cv) at 3000 rpm
 Maximum torque 230 Nm à 1800 tr/mn
 Diesel 4 cylinders
 Individual injections pumps
 Bore 98 mm- stroke 110 mm
 Cylinder 3.32L
 Exhaust silencer on block
 Liquid cooling
 Depollution level EPA Tier4 ou Stage V
 Permanent ventilation
 Engine oil capacity 10.5L
 Oil filter disposable cartridge
 Fuel filter disposable cartridge
 Indicative consumption 6 l/h
 Fuel : according CSR 442 standard
 additive for great cold

ENGINE EQUIPMENT

Pump of control

TRANSMISSION MOVE

2 hydraulic motors with reducer

ROLLER TRANSMISSION

2 hydraulic engines

STEERING

Steering wheel and hydraulic assistance

DRIVING WHEEL

2 solid tyres 559 x 301 x 406

STEERING WHEEL

1 axle fitted with 2 wheel 406 x 154 x 267

BRAKE

Hydrostatic brake on transmission circuit
 for roller and driving wheels
 Parking brake : dry multidisk

FUEL TANK

Plastic tank capacity 50 liters of diesel
 with minimum level electric and cap

HYDRAULIC OIL TANK

Steel tank capacity 120 liters with visaul level
 fitted with connection of filling

OPERATING FONCTIONNEMENT

The PACKMAT PK404 works under normal
 conditions for ambient temperatures
 between -5 et +50°C

Cab

Lateral driving semi upright position
 Hight cabin with access by safety scale
 Cab with 4 work lights and rotating light
 Composting side glass window with protective grid
 Sliding glass side door + glass on the door
 1 extractor on the roof
 Maintenance documentation
 1 wiper, washer

DASHBOARD

Electric screen :
 - Function and alert indicators
 - Horameter
 - Ignition key
 - Emergency stop button
 - Commutator of foward or reverse
 - Honc
 - Commutator for moving or working mode
 - Commutator for the arm lifting
 Man machine dialogue screen
 (with 4 digit code)

- Extinguisher

ELECTRIC EQUIPMENT

Battery capacity 95Ah 12 volts
 Switch button for the battery 125A
 Alternator 40A
 Starter 3 kW
 1 horn
 1 calculator for the pump managing
 1 encoder on the steering for anti-shifting
 function
 1 horn for reverse

BODY

2 access doors to the rear powertrain
 2 access doors propellant lateral group
 1 access door driving cabin

NOISE EMISSION

80 dbA

COMPACTOR EQUIPMENT

Standard painting : Orange RAL 2011
 Grey RAL 7023

Frame :

1 self-supporting frame
 1 intermediate arm for container of 6400 mm
 1 arm of roller for container lenght 6400 mm
 1 remote control

Roller :

Weigth : 2.3T (ground impact : 2.6T à 2.9T)
 Overall width : 1900 mm - Useful : 1700 mm
 Overall diameter : 1225 mm
 Roller equipped with steel teeth of high
 strengt and a device for the roller cleaning

HYDRAULIC EQUIPMENT

Opened circuit :

Gear pump 11cc / 240 bars
 Distribution block cetop 3 45l/mn 210bars

Power steering wheel

1 cylinder for the lifting of the roller
 70x110 course1000 with a restrictor
 1 cylinder for the lifting of the front frame
 course 300 + shock-proof safety

Closed circuit :

Piston pump 60cc / 330 bars
 Driving 2 hydraulic engines 35 cc / 330 bars
 Compaction 2 hydraulic motors 126cc
 1 hydraulic valve PVG32 for move and
 compaction with filtration
 Exchanger / oil cooler

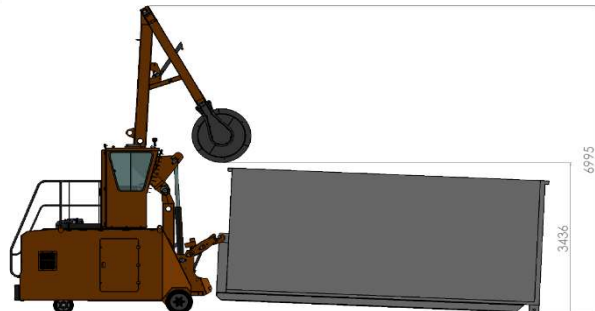
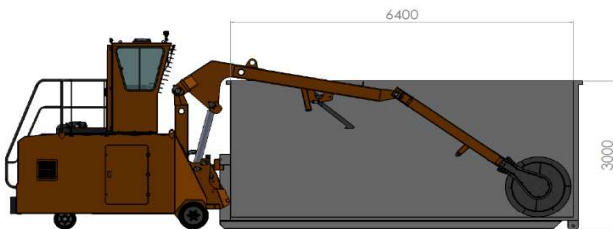
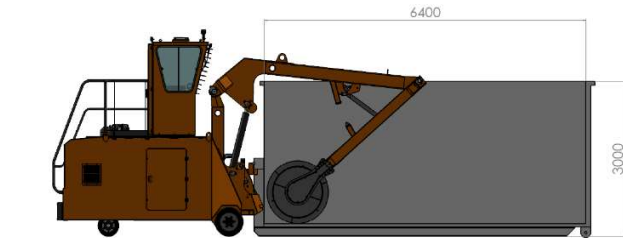
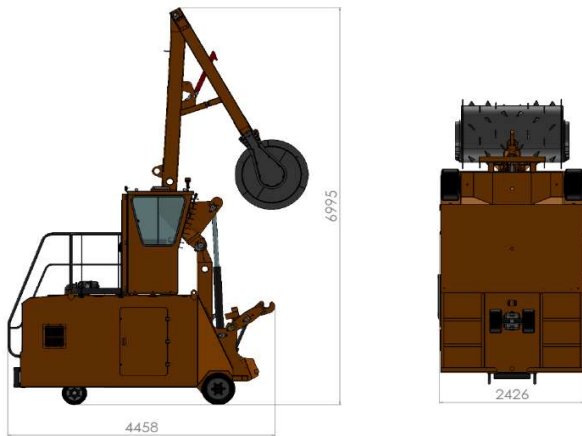
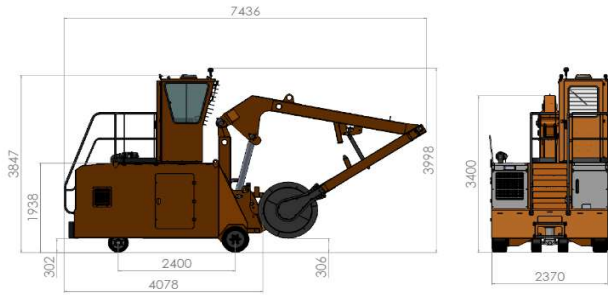
OPTIONS

Traction hook :

Max weight container 12T
 Max weigth on hook 5T
 Radius of gyration with container 20 m
 Greasing pack centralized with grease EP2
 End of stroke front rear roll
 Cab haeting
 Cab air conditioner

REMARK

Not allowed to drive on public road



Weight and dimensions

Unit

Gross weight	20200 Kg
Machine weight	10200 Kg
Lenght roller lowered	7434 mm
Lenght roller lifted	5000 mm
Overall width	2400 mm
Wheel base	2400 mm
Height roller lowered	4010 mm
Height roller lifted	7000 mm
Height under lifter roller	3430 mm
Ground clearance	310 mm
Ground clearance roller lowered	286 mm
External steering radius without container	3510 mm
Internal steering radius without container	0 mm
Centre de gravité rouleau baissé / essieu tracteur	495 mm
Overhang/cantilevered steering wheels	1110 mm
Overhang/cantilevered driving wheels	680 mm
Maximum inclination roller lifted	3 deg
Speed roller	20 tr/mm
Positioning tolerance with respect to the container	
Container height maximum	3000 mm
Longitudinal centering	100 mm + ou -
Parallelism	2 deg + ou -
Move speed	
Speed without container on flat ground	6 km/h
Speed with 12 tons container on flat ground	3 km/h

Note: The manufacturer reserves the right to modify the above features without notice. Adaptations can only be made from our plans. Non contractual document