

DURAPAC

COMPACTION SYSTEMS

CB28 24m3

Portable Compactor

The Durapac CB28 portable waste compactor is a fully self contained waste compaction unit, ideal for medium to high volumes of general waste, food waste and recyclables generated by warehouses, factories, pack-houses, shopping centres, retail outlets, office blocks, catering operations and hospitals, etc.

It is easy to install, just plug into a 3 phase power supply and switch on, and can be used on any floor type. The controls are simple, and contained within a locking, vandal-proof cabinet. When full, the CB28 is collected, emptied and returned by a roll-on-off vehicle. Loading can be by hand, forklift tip skip or automatic bin lift for 120-1100 litre wheelie bins, from ground or dock level, using a choice of auto-opening lids, interlocked doors and safety hoppers.

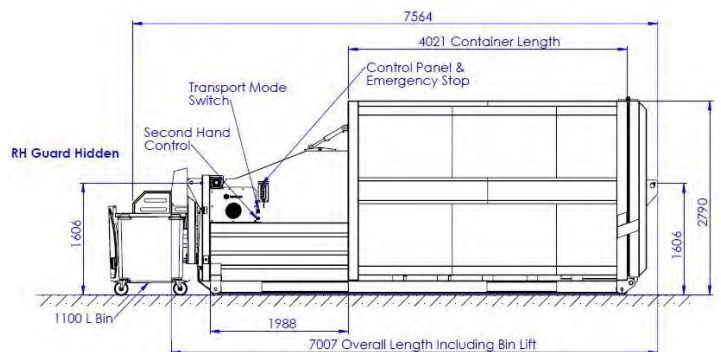
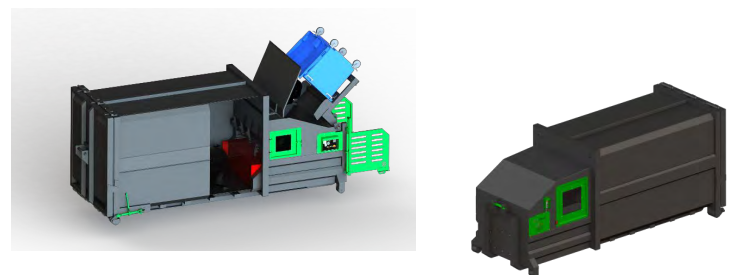
Ratchet type turnbuckle locking and a full height door seal, gives a strong, leak proof design, while being quick and easy to open.

Full telemetry and remote access are standard which allow us to quickly help if you have a service problem and enables the machine to message your collection partner as it becomes full, saving transport costs and reducing your carbon footprint.

- Reduce waste disposal costs
- Improve site safety
- Save time, labour and space
- Cut Co2 emissions and environmental impact



CB28 SPECIFICATION	DETAIL
Charge Box Volume	24m ³
Motor Size (Kw)	5.5/7.5
Cycle Time (Secs)	45s
Power Supply	415V 3 Phase
Running Pressure (PSI)	1600
Machine Weight (Kg)	5500
Ram Bore / Ram Stroke (mm)	100 / 930
Compaction Force (Tonne)	25
Boost Pressure (PSI)	2200
Length (mm)	6500
Width (mm)	2300
Height (mm)	2800
Head Face Area (m ²)	0.75



www.compactandbale.com
sales@compactandbale.com
 01732 85 22 44

